

Tentative

Ultra High Light Sensitivity Tethered Camera Head **MEMRECAM GX-5 C-CAM**



C-Cam is a new optional camera head for the Memrecam GX-5 which has been adapted well for automotive onboard crash test application. It features ultra-high light sensitivity which is approx. 16times better than the existing camera heads, and is usable for a dummy's legs shooting with a limited lighting, a small component shooting with faster shutter, an underneath shooting at pit-less with a limited lighting, etc. If you already have the GX5 system, just adding the C-Cam, you can enjoy the high sensitivity shooting.

Specifications

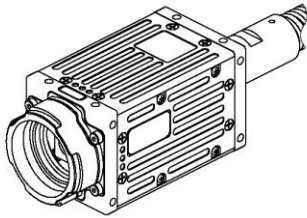
- Sensitivity: Color ISO16,000 Monochrome ISO100,000 (when shooting at 1,000fps)
- Frame Rates : 50-15,000fps
- Shutter Speed : Min. 10 μ sec
- Resolutions : 640x480pixels (when shooting at 1,000fps)
- Lens Mount : C-mount
- Cable Length : 60cm from the camera, extension cables: 4m, 6m, 8m
- Cable Direction : From Back (straight type) or From Side (side type)
 - * See camera type drawings.
- Size: straight type 35(H) x 35(W) x 58(D)mm
side type 35(H) x 57(W) x 35(D)mm
- Shock : 150G half-sine, 11ms in all axis

Resolution/Frame Rate/Sensitivity

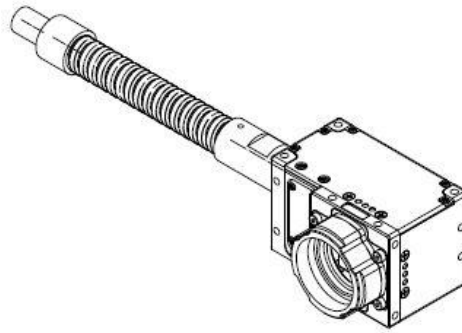
Image Format	Resolutions	Frame Rate	Sensitivity (compared with P-cam)
Full : VGA	640(H) x 480(V)	1,000pps	Iris of 4F stops better than P-cam (approx. 16times)
Split 4:3	448(H) x 336(V)	2,000pps	Iris of 3.5F stops better than P-cam

◇ Refer to the data sheet of MEMRECAM GX-5 for general specs. And above specs are subject to change without notice.

Camera Type



Straight Type
35(H) x 35(W) x 58(D)mm

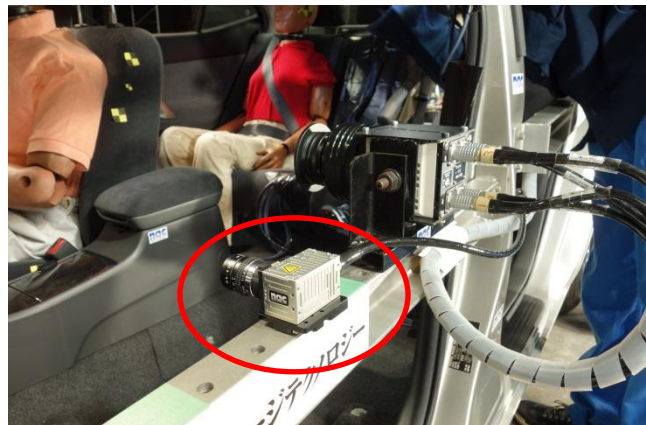


Side Type
35(H) x 57(W) x 35(D)mm

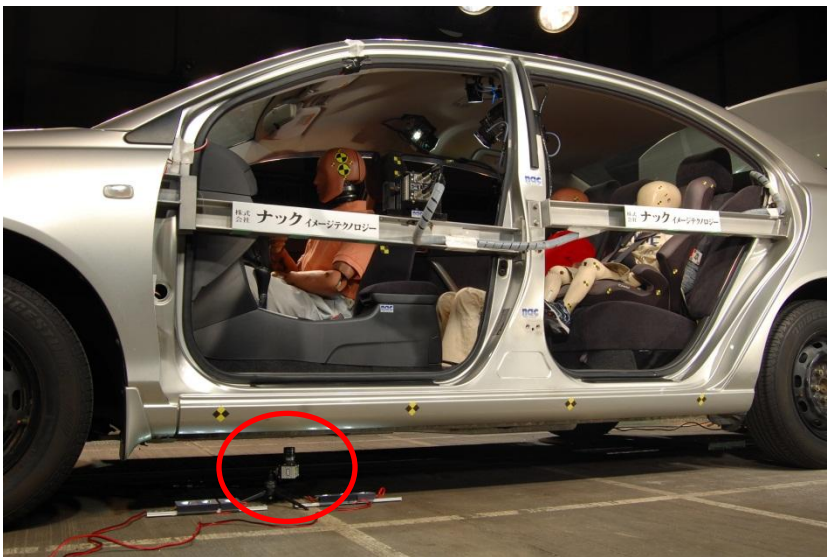
Applications



Onboard (front view)



Onboard (side view)



Underneath Shooting at Pit-Less



Dummy's Legs